



AIRARMOUR

Protecting Where We Live, Work, and Play.

AIRARMOUR RED PRO FOGGER



MANUAL
MODEL: AARPF

SAFETY MEASUREMENTS

The AirArmour Red Pro Fogger system referred to in this document are designed for use by qualified and experienced personnel. Please read these instructions thoroughly before usage.

Safety Measurements

- Do not make any modifications or repairs to the Red Pro Fogger. Contact support for assistance.
- Keep the instruction manual. If the fogger is transferred to a new owner, provide them with the manual.
- Before use, operators must be aware of all protection and safety measures.
- Ear protection is recommended.
- Adhere to product manufacturer instructions regarding solution concentration and protective measures.
- Wear eye protection and a mask while fogging.
- While fogging, use protective equipment, proper respiratory protection, and protective gloves as applicable.
- Store the fogger away from potential hazards.
- Unplug the appliance when it is not in use.
- Keep the fogger out of the reach of unapproved personnel.
- Do not fog near open flame.
- Never use the appliance with wet hands or feet or with bare feet.
- Keep the power cord away from heat, oil, sharp edges, and rough surfaces.
- Do not damage or modify the molded plug in any way.
- Do not use a cord that has been modified, cut, or frayed.
- Only use the fogger for the purpose for which it was designed.
- Never leave the fogger unattended while it is connected to power.
- After use, rinse and drain tank before storing.
- Keep motor air intake is as dry as possible.
- Never perform maintenance service work if the appliance is connected to a power outlet.
- Only service by qualified, skilled personnel approved to work with the appliance.
- Make sure the unit is connected to a 120 volt power outlet.
- Operate in a well-ventilated area.
- The AirArmour Red Pro Fogger is designed for AirArmour products. Use of other solutions in the fogger may void warranty.



AIRARMOUR

Protecting Where We Live, Work, and Play.

RIDmold, LLC
3604 Fernandina Rd., #201
Columbia, SC 29210

803.606.5224
info@airarmour.com
www.airarmour.com

Caution



It is the operator's responsibility to ensure the safe use of the fogger and that the operator is fully compliant with national or local regulations governing compression foggers and application of disinfectant solutions.



AirArmour is not liable for damages that have occurred due to improper use/repair/maintenance, the use of non-recommended or non-OEM parts, and acceptance of damaged/broken sprayers for any reason. The AirArmour Red Pro Fogger is designed for AirArmour products only. Use of other solutions in the fogger may void warranty.

Specifications

Model:	AARPF
Electric Motor:	110 - 120 V, 50 / 60 Hz, 700 W
Solution Tank:	1 gallon, side opening for refilling polyethylene, UV-light resistant
Output:	Approximately 0-260 ml/min.
Shoulder Strap:	double woven, 2 inches wide
Standard Accessory:	extension hose 20 inches
Net Weight:	7.5 lbs
Gross Weight:	9.7 lbs
Fogger Dimensions:	W11 x H16 in
Packing Dimensions:	L14 x W12 x H17 in



AIRARMOUR

Protecting Where We Live, Work, and Play.

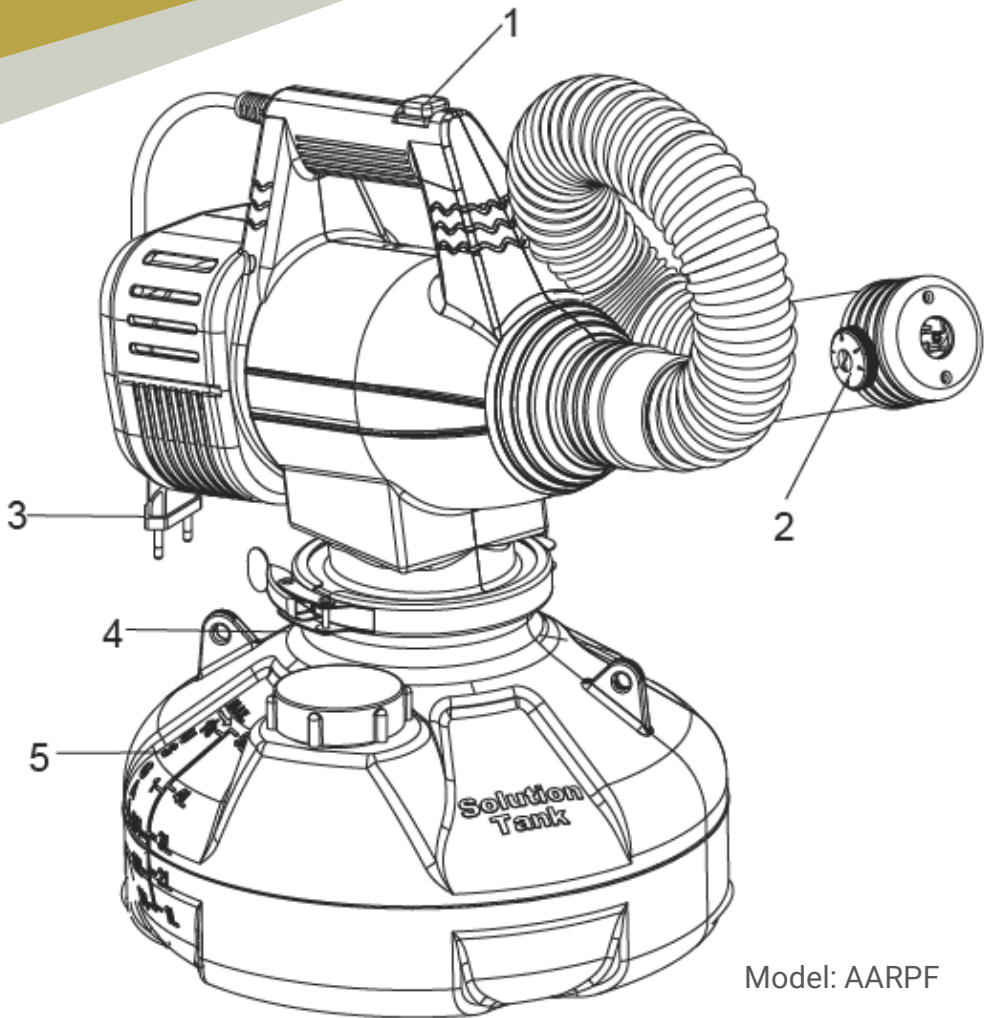
RIDmold, LLC
3604 Fernandina Rd., #201
Columbia, SC 29210

803.606.5224
info@airarmour.com
www.airarmour.com

MAIN FEATURES

Features

AirArmour Red Pro Fogger operates effectively according to ultra low volume (ULV) method. A powerful electric motor distributes the fine droplets evenly over the affected area. The droplets remain airborne for a sufficient time. The needle dosage control knob allows a liquid volume control, depending on the viscosity level of the liquid to be fogged.



Model: AARPF

- | | |
|--------------------------------|------------------|
| 1. On/off switch | 4. Closure ring |
| 2. Flow control regulator knob | 5. Solution tank |
| 3. Power cord | |

- AirArmour guarantees the AirArmour Red Pro Fogger to be free of defects in materials and workmanship to the original purchaser for a period of one(1) year on labor and parts which are not subject to usual wear.
- During this period, AirArmour will replace and/or repair the parts and manufacturer faults on the exclusive judgment of our technical department free of charge.
- **Shipping and dispatch of defective equipment will be at original purchaser's expense.**
- Guarantee does not cover damages occurred during transport or by incorrect handling, tampering, or use by unapproved or unqualified personnel, or the use of non-recommended products.
- Under no circumstances will AirArmour be liable for damages due to improper use or application.
- Under no circumstances will AirArmour be responsible for damages to any persons or property.



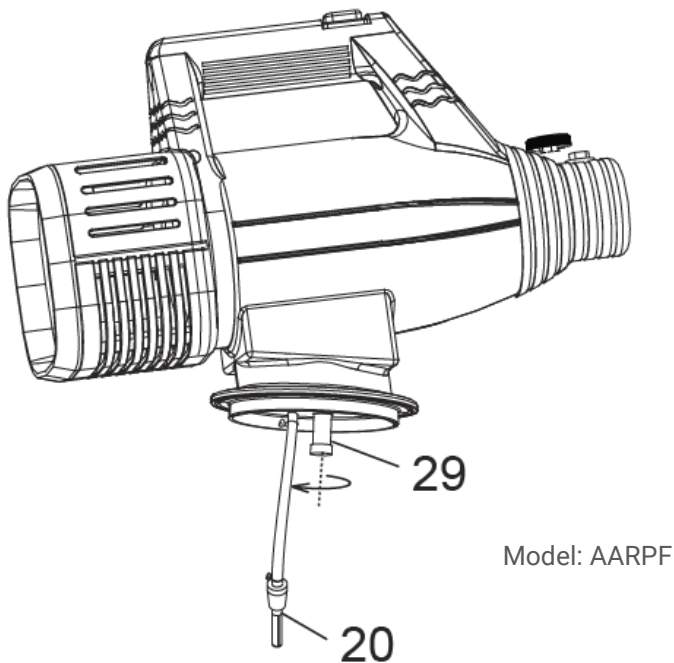
AIRARMOUR

Protecting Where We Live, Work, and Play.

RIDmold, LLC
3604 Fernandina Rd., #201
Columbia, SC 29210

803.606.5224
info@airarmour.com
www.airarmour.com

CARE & MAINTENANCE



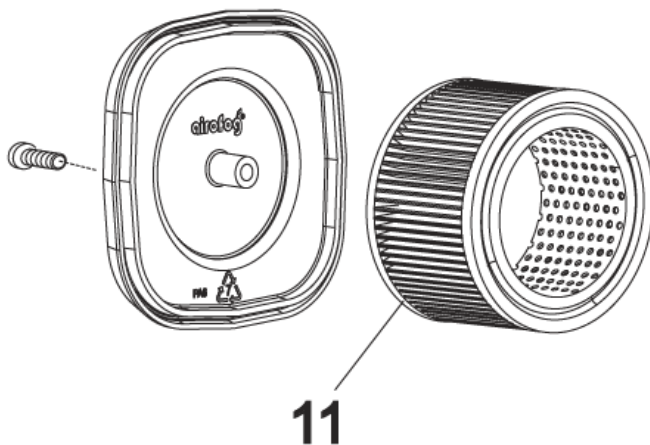
Cleaning

Periodically clean the liquid filter (20) and the PP filter (29 & 29/1). Remove the filter and rinse it with running water to remove the clinging particles.

Avoid contamination when changing chemicals by running the fogger with clean water through unit and rinse tank thoroughly.

Periodically check the cleanliness of the air filter (11). If the motor does not breathe a sufficient quantity of clean air, the fogging operation will be inefficient and the motor could be overheated.

Contact AirArmour for technical assistance.



AIRARMOUR

Protecting Where We Live, Work, and Play.

RIDmold, LLC
3604 Fernandina Rd., #201
Columbia, SC 29210

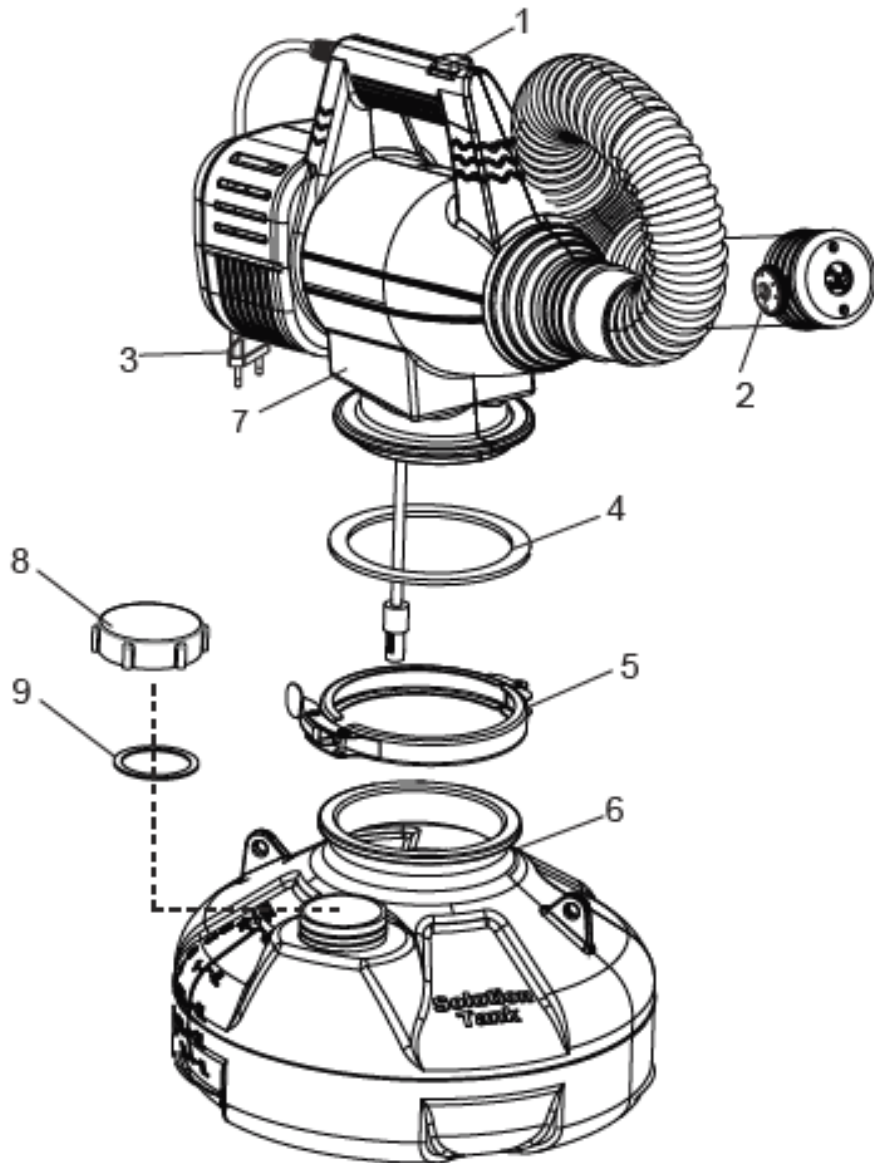
803.606.5224
info@airarmour.com
www.airarmour.com

GETTING READY

Inspection

Upon receipt of the AirArmour Red Pro Fogger, remove from box and inspect that the pieces are accounted for and that there is no visible damage to the fogger.

Use the correct power rating from the identification plate. If voltage and frequency ratings used are beyond those indicated, the appliance may suffer serious damage and fail to operate properly.



AIRARMOUR

Protecting Where We Live, Work, and Play.

RIDmold, LLC
3604 Fernandina Rd., #201
Columbia, SC 29210

803.606.5224
info@airarmour.com
www.airarmour.com

OPERATING THE RED PRO FOGGER

Prepping the Red Pro Fogger



Make sure the power plug (3) is disconnected from the power outlet.

- Remove the closure ring (5) and check the tank (6) is clean.
- Replace the power head (7), making sure the tank gasket (4) is in place and return the closure ring (5) to its position.
- Pour the solution into the tank (6) then close the filling cap (8), make sure the gasket (9) is in position.
- Before connecting the power plug (3) to a power outlet, ensure that:
 - Flow control knob (2) is in closed position and power switch (1) is set to the off position.
 - The nozzle is aimed in a safe direction and switch on the appliance.
 - Flow control knob is properly adjusted for the quantity of product to be applied.



Plan the application procedure so that the fogger draws in fog as little as possible through its intake. We recommend starting at a point farthest from the entrance of a room or area and working your way backwards through the room.

Post-Fogging

- Once fogging is complete, close the flow control knob and allow the fogger to run for one minute to clear the hose of any AirArmour Decon Pro solution before switching off the appliance.
- Drain tank of any remaining AirArmour Decon Pro solutions, rinse with warm water, and fog with warm water for at least 30 seconds to flush the system.
- Disconnect the power plug from power outlet.



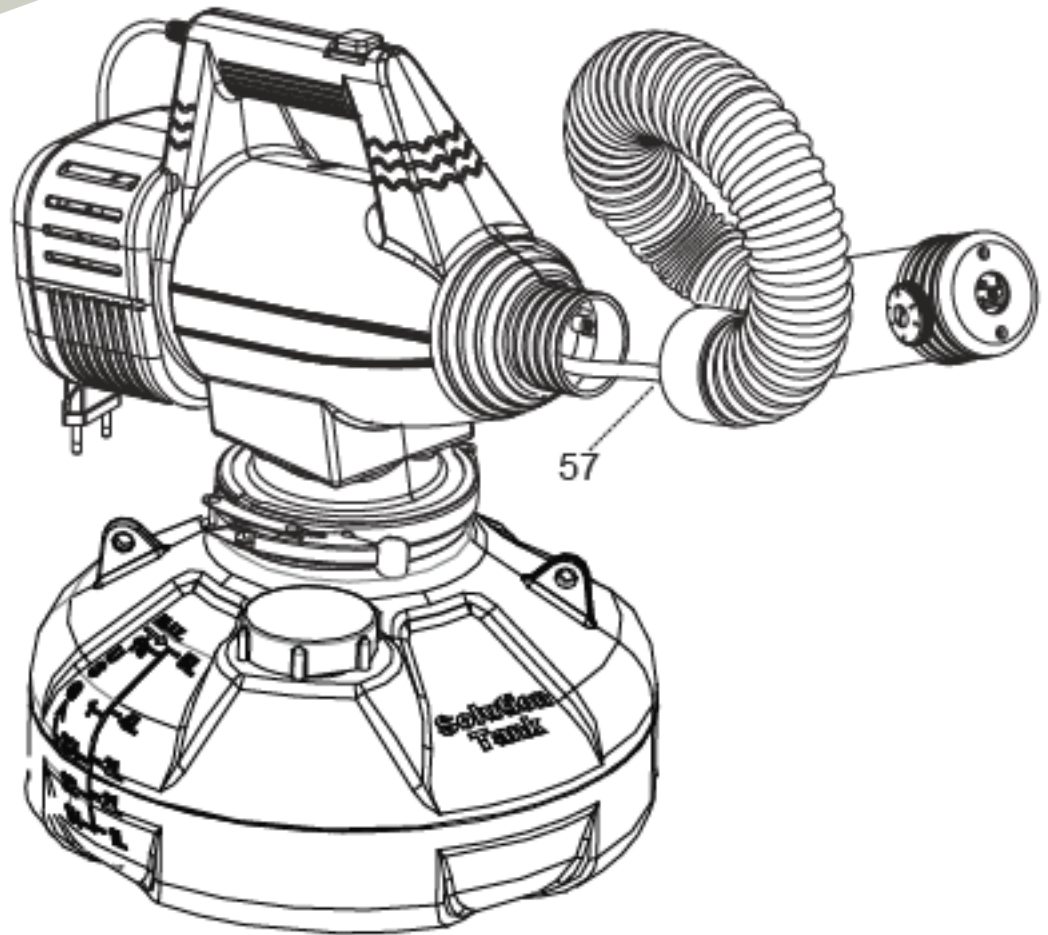
AIRARMOUR

Protecting Where We Live, Work, and Play.

RIDmold, LLC
3604 Fernandina Rd., #201
Columbia, SC 29210

803.606.5224
info@airarmour.com
www.airarmour.com

EXTENSION HOSE



Extension Hose

- The AirArmour Decon Pro Fogger provides precision and control with the extension hose to reach farther distances and harder to reach areas while using less solution.



Ensure that the extension solution tube that sits within the extension hose itself is not kinked or twisted. (57)



AIRARMOUR

Protecting Where We Live, Work, and Play.

RIDmold, LLC
3604 Fernandina Rd., #201
Columbia, SC 29210

803.606.5224
info@airarmour.com
www.airarmour.com

Universal Applications

- Cleaning and disinfecting schools, community centers, hotels, food service locations, hospitals and care facilities, offices, banks, gyms, buses, and other means of transportation.
- Control of mildew and fungus
- Odor control

Consumption

The appliance is fitted with a 5-position flow control valve. As the output varies according to different applications of AirArmour Decon Pro solution, we advise that you do your own metering of the output under prevailing conditions.

5pt Liquid Dosage Control

Regular Position	Flow (tested with water)
0	0.0 oz/min
1	1.6 oz/min
2	3.3 oz/min
3	5.0 oz/min
4	6.7 oz/min
5	8.7 oz/min



AIRARMOUR

Protecting Where We Live, Work, and Play.

RIDmold, LLC
3604 Fernandina Rd., #201
Columbia, SC 29210

803.606.5224
info@airarmour.com
www.airarmour.com

OPTIMIZING THE RED PRO FOGGER

Inspection

Since a fine mist is difficult to be seen, usually it is better to calculate fogging time and volume from the liquid flow rate rather than rely on visible indications.

An optimum distribution rate is approximately 1.7 oz. of substance per minute. To establish the application time, first determine the total quantity of substance to be applied in accordance with the formula as below:

(sf. of area to be treated) x (oz. of substance required for 1sf.) = oz. of substance

$$\frac{\text{oz. of substance}}{\text{distribution in oz. per minute}} = \text{distribution time in minutes}$$

Recommendations

- Before application, estimate the required application time and quantity of AirArmour Decon Pro to treat the area.
- The ideal condition for the suspension of the minute droplets is around 77°F temperature and 75% relative humidity.
- During application, never leave the appliance unattended.



AIRARMOUR

Protecting Where We Live, Work, and Play.

RIDmold, LLC
3604 Fernandina Rd., #201
Columbia, SC 29210

803.606.5224
info@airarmour.com
www.airarmour.com

Recommended Application Procedure

- Start at a point farthest from the entrance of a room or area and work your way backwards through the room.
- Walk through the area to be treated slowly, taking into consideration the application time.
- Always keep a minimum distance of 3 feet between the aim nozzle at a surface or contaminated area. A proper application of AirArmour Decon Pro should leave no traces of substance on the surfaces.
- Allow the AirArmour Decon Pro fog to dwell undisturbed for as much time as possible, preferably 30-60 minutes, with the recommended minimum time of 10 minutes.
- If necessary, open the doors and windows to circulate fresh air in the treated area.



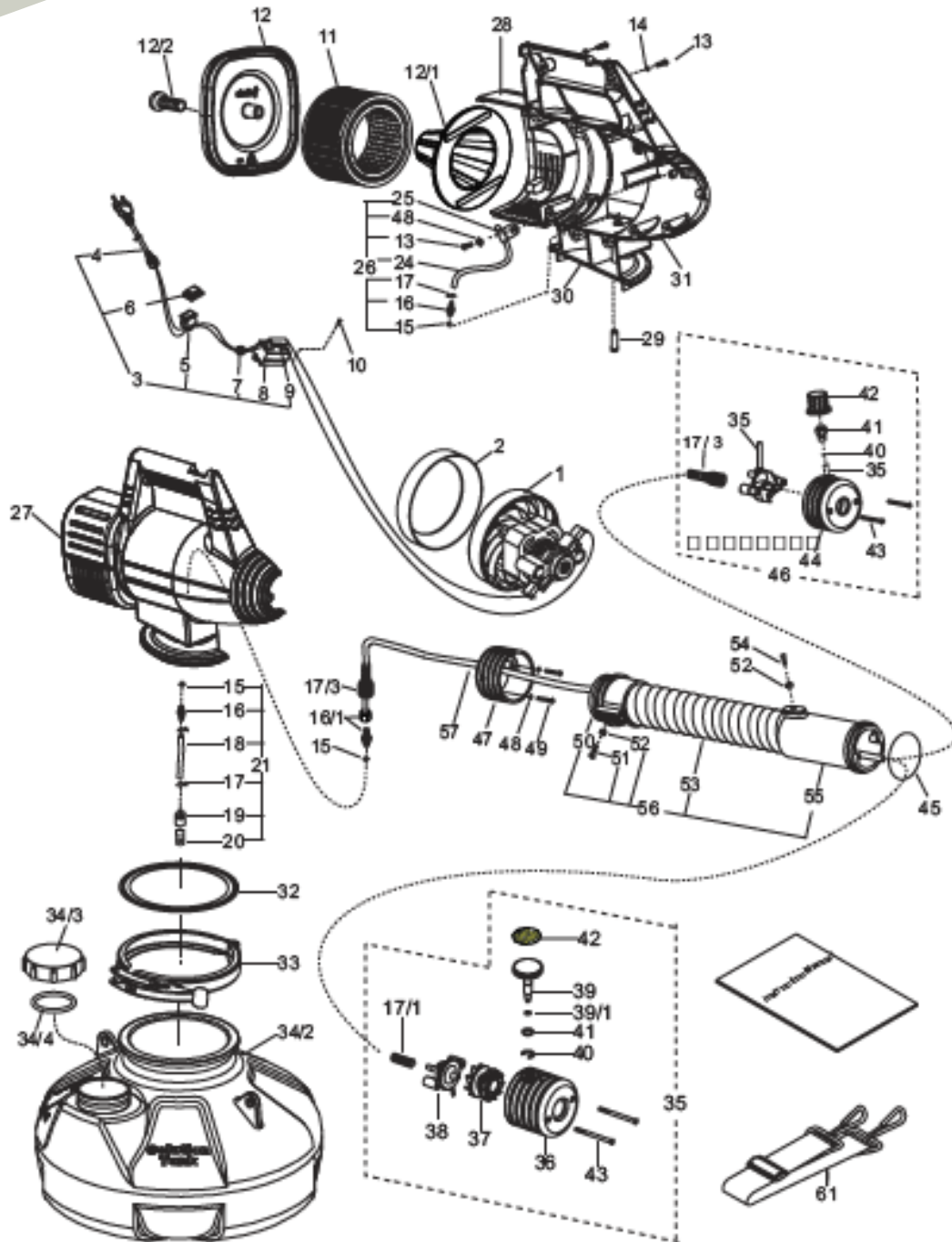
AIRARMOUR

Protecting Where We Live, Work, and Play.

RIDmold, LLC
3604 Fernandina Rd., #201
Columbia, SC 29210

803.606.5224
info@airarmour.com
www.airarmour.com

ASSEMBLY



AIRARMOUR

Protecting Where We Live, Work, and Play.

RIDmold, LLC
3604 Fernandina Rd., #201
Columbia, SC 29210

803.606.5224
info@airarmour.com
www.airarmour.com

AIRARMOUR RED PRO FOGGER MODEL: AARPF PARTS LIST

Pos	Part no.	Description
1	260-001-240	
1	260-001-120	
2	260-002-000	
3	260-003-240	
3	260-003-120	
4	260-004-240	
4	260-004-120	
5	260-005-000	
6	260-006-000	
7	260-007-000	
8	260-008-000	
9	260-009-120	
10	260-010-000	
11	260-011-000	
12	240-012-000	
12/1	240-012-010	
12/2	260-012-020	
13	505-009-142	
14	260-014-000	
15	935-056-010	
16	260-016-000	
16/1	260-016-010	
17	260-017-000	
17/1	240-017-010	
17/3	260-017-030	
18	260-018-000	
19	240-019-000	
20	240-020-000	
21	240-021-000	
24	260-024-000	
25	260-025-000	
26	260-026-000	
27	260-027-000	
28	260-028-000	
29	260-029-000	
30	260-030-000	
31	260-031-000	
32	260-032-000	
33	260-033-000	
34/2	240-034-000	
34/3	240-034-010	
34/4	240-034-020	
35	240-035-010	
36	240-036-010	

Pos	Part no.	Description
23	240-023-000	Feed tube assembly
27	240-027-000	Motor body "R"
29	260-029-000	PP filter
29/2	240-029-000	PP filter
30	260-030-000	Viton seal
31	260-031-000	50cm Seal
32	260-032-000	Sealing ring
33	260-033-000	Closure ring
34/2	240-034-000	Solution tank, Igal round
34/3	240-034-010	Cap
34/4	240-034-020	Gasket
35	240-035-000	Nozzle assembly
36	240-036-000	Nozzle holder
37	240-037-000	Atomizer
38	240-038-000	Nozzle
39	240-039-000	Flow regulator needle
39/1	240-039-010	O-ring
40	240-040-000	E-ring
41	240-041-000	O-ring
42	240-042-000	Label (+/-)
43	240-043-000	Countersunk screw M3x45
61	260-061-000	Carrying strap



AIRARMOUR

Protecting Where We Live, Work, and Play.

RIDmold, LLC
3604 Fernandina Rd., #201
Columbia, SC 29210

803.606.5224
info@airarmour.com
www.airarmour.com



AIRARMOUR

Protecting Where We Live, Work, and Play.

RIDmold, LLC
3604 Fernandina Rd., #201
Columbia, SC 29210

803.606.5224
info@airarmour.com
www.airarmour.com